

An extremely cost effective demonstrator unit that is lightweight, portable and simple to assemble.

Apply your promotional graphics as vinyls or screen print directly onto the plastic base wrap.

features & benefits

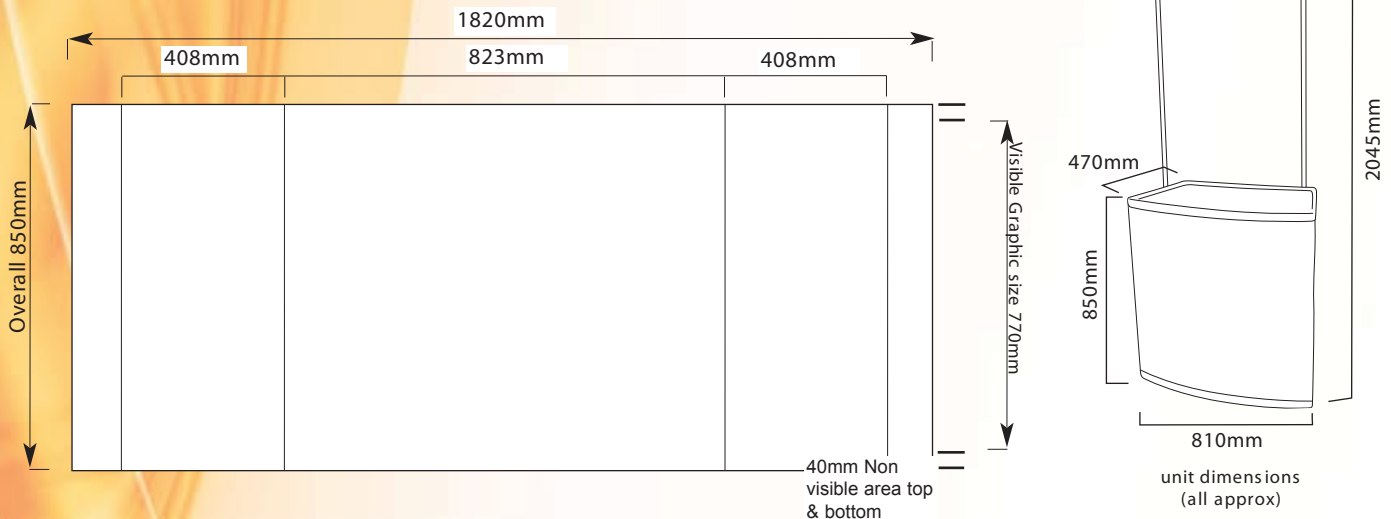
- Lightweight plastic, flat pack promotional unit
- Extremely cost effective
- Includes rigid header panel, shelf and twin supporting poles
- Supplied with carry bag

£185

 exc vat

Includes Graphics

Prices are for print ready artwork supplied - no print ready artwork supplied a £15 per hour plus vat design artwork design fee will apply, prices exclude carriage.



hardware specifications	graphic specifications	additional info
<p>Hardware Dimensions (mm) 2045 (h) x 810 (w) x 470 (d) approx.</p> <p>Weight: 11.4kg approx (inc carry bag)</p>	<p>Recommended graphic dimensions See above wrap layout.</p> <p>Header dimensions (mm): 280 (h) x 770 (w) approx.</p>	<p>Please call us on 01623 661457 for graphic templates and any more info.</p>